



S1A5614601

**⚠️ DANGER**

**HAZARD OF ELECTRIC SHOCK, EXPLOSION, OR ARC FLASH**

- Read and understand this quick start guide before performing any procedure with this drive.
  - The user is responsible for compliance with all international and national electrical code requirements with respect to grounding of all equipment.
  - Many parts of this drive, including the printed circuit boards, operate at the line voltage. **DO NOT TOUCH.** Use only electrically insulated tools.
  - **DO NOT** touch unshielded components or terminal strip screw connections with voltage present.
  - **DO NOT** short across terminals PA/+ and PC/- or across the DC bus capacitors.
  - Before servicing the drive:
    - Disconnect all power, including external control power that may be present.
    - Place a "DO NOT TURN ON" label on all power disconnects.
    - Lock all power disconnects in the open position.
    - **WAIT 15 MINUTES** to allow the DC bus capacitors to discharge.
    - Measure the voltage of the DC bus between the PA/+ and PC/- terminals to ensure that the voltage is less than 42 Vdc.
    - If the DC bus capacitors do not discharge completely, contact your local Schneider Electric representative. Do not repair or operate the drive
  - Install and close all covers before applying power or starting and stopping the drive.
- Failure to follow these instructions will result in death or serious injury.**

Electrical equipment should be installed, operated, serviced, and maintained only by qualified personnel. No responsibility is assumed by Schneider Electric for any consequences arising out of the use of this product.

Information below is designed to use **single drive** connected to **single motor with a motor cable length less than 50 meters (164 ft).**

In any other case, consult the ATV12 user manual on [www.schneider-electric.com](http://www.schneider-electric.com).

Check your cables before connecting the drive with motor (length, power, shielded or unshielded). Motor cable length is \_\_\_\_\_ (<50 meters, 164 ft)

## 1 Check the delivery of the drive

- Remove ATV12 from the packaging and check that it has not been damaged.

**⚠️ WARNING**

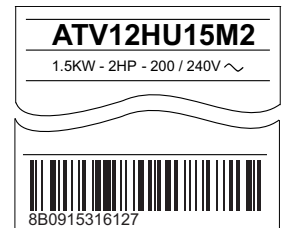
**DAMAGED DRIVE EQUIPMENT**

Do not operate or install any drive or drive accessory that appears damaged.

**Failure to follow these instructions can result in death, serious injury, or equipment damage.**

- Check that the drive reference printed on the label is the same as that on the delivery note corresponding to the purchase order.

Write the drive Model Reference: \_\_\_\_\_ and Serial Number: \_\_\_\_\_

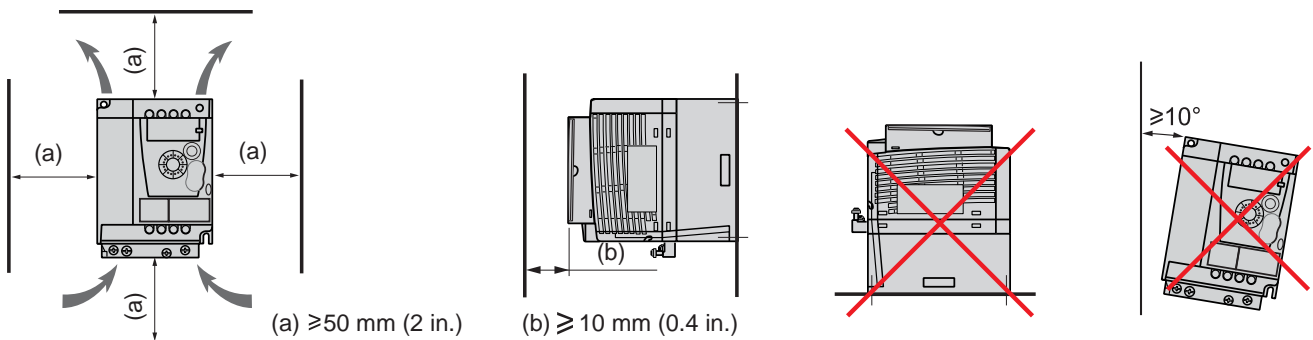


## 2 Check the line voltage compatibility

- Check that the **line voltage** is compatible with the supply range of the drive.  
 Line voltage \_\_\_\_\_ Volts    Drive voltage range \_\_\_\_\_ Volts  
 Drive range: ATV12•••• F1 = 100 ... 120 V single phase / ATV12•••• M2=200 ... 240 V single phase / ATV12•••• M3 = 200 ... 240 V three-phase.

## 3 Mount the drive vertically

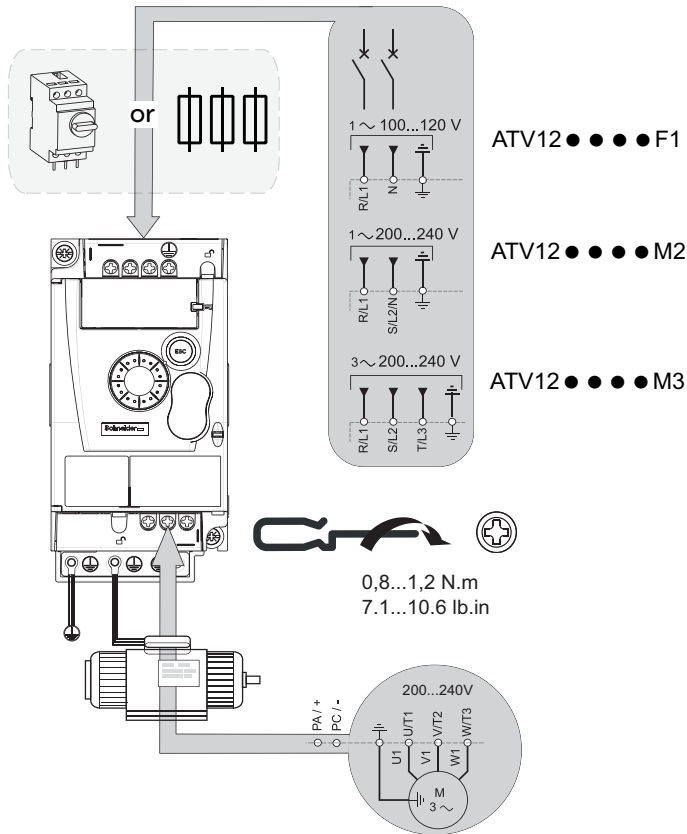
For a surrounding air temperature up to 50 °C (122 °F)



See user manual on [www.schneider-electric.com](http://www.schneider-electric.com) for other thermal conditions.

## 4 Connect the drive: Power

- Wire the drive to the ground.
- Check circuit breaker rating or fuse rating.
- Check that the motor voltage is compatible with the drive voltage.  
Motor voltage \_\_\_\_\_ Volts.
- Wire the drive to the motor.
- Wire the drive to the line supply.



## 6 Apply power to the drive

- Check that used Logic Inputs are not active (see Li1, Li2, Lix).
- Apply power to the drive.
- Drive displays **b F r** at first power up.
- On next start-ups, drive displays **r d y**.

## 7 Set motor parameters

- See on the motor Nameplate to set the following parameters.

Menu	Code	Description	Factory setting	Customer setting
<b>C O n F</b> > <b>F U L L</b> > <b>d r C -</b> [Motor control menu]	<b>b F r</b>	[Standard motor frequency]: Standard motor frequency (Hz)	<b>5 0 . 0</b>	
	<b>n P r</b>	[Rated motor power]: Nominal motor power on motor nameplate	drive rating	
	<b>n C r</b>	[Rated motor current]: Nominal motor current on motor nameplate (A)	drive rating	

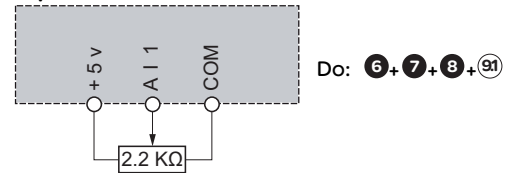
## 8 Set basic parameters

Menu	Code	Description	Factory setting	Customer setting
<b>C O n F</b> [CONFIGURATION]	<b>A C C</b>	[Acceleration]: Acceleration time (s)	<b>3 . 0</b>	
	<b>d E C</b>	[Deceleration]: Deceleration time (s)	<b>3 . 0</b>	
	<b>L S P</b>	[Low speed]: Motor frequency at minimum reference (Hz)	<b>0 . 0</b>	
	<b>H S P</b>	[High speed]: Motor frequency at maximum reference (Hz)	<b>5 0 . 0</b>	

## 5 Connect the drive: Control choice

### 51 [REMOTE configuration] (Control by external reference)

- Wire the speed reference:

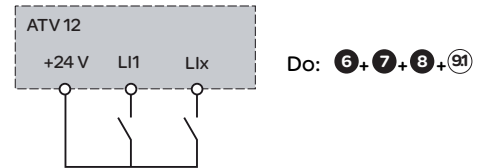


- Wire the command:

Control command 2-wire:

Parameter **t C C = 2 C**

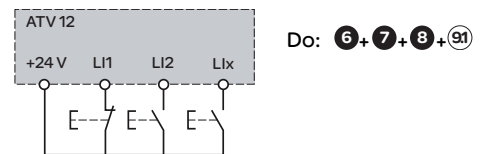
L11: forward  
Llx: reverse



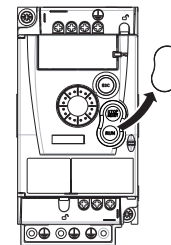
Control command 3-wire:

Parameter **t C C = 3 C**

L11: stop  
L12: forward  
Llx: reverse



### 52 [LOCAL configuration] (control by internal reference).



Do: 6+7+8+92

## 9 Set control choice

Menu	Code	Description	5.1 [REMOTE configuration]	5.2 [LOCAL configuration]	Customer Setting
<i>CONF &gt; FULL &gt; Ctl- [Control menu]</i>	<i>F r l</i>	[Reference channel]: Reference control	<i>A l l</i>	<i>A l u l</i>	
<i>CONF &gt; FULL &gt; I.O- [Input Output menu]</i>	<i>t c c</i>	[Type of control]: Command control	<i>2 C</i> : 2-wire control <i>3 C</i> : 3-wire control	—	



### 91 [REMOTE configuration] (configuration factory setting)

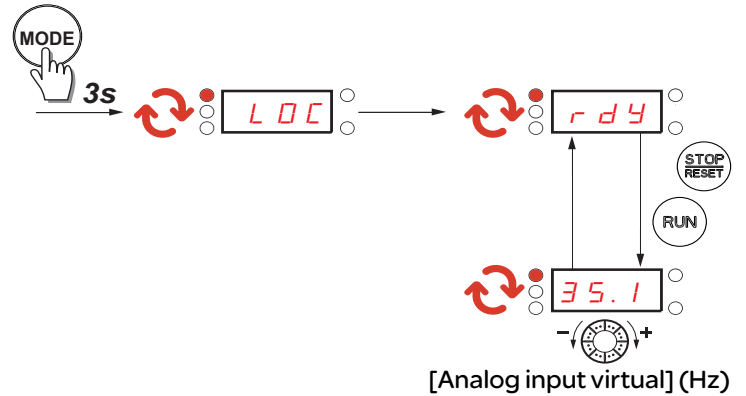
Parameters factory settings:

*F r l = A l l*  
*t c c = 2 C*

### 92 [LOCAL configuration]

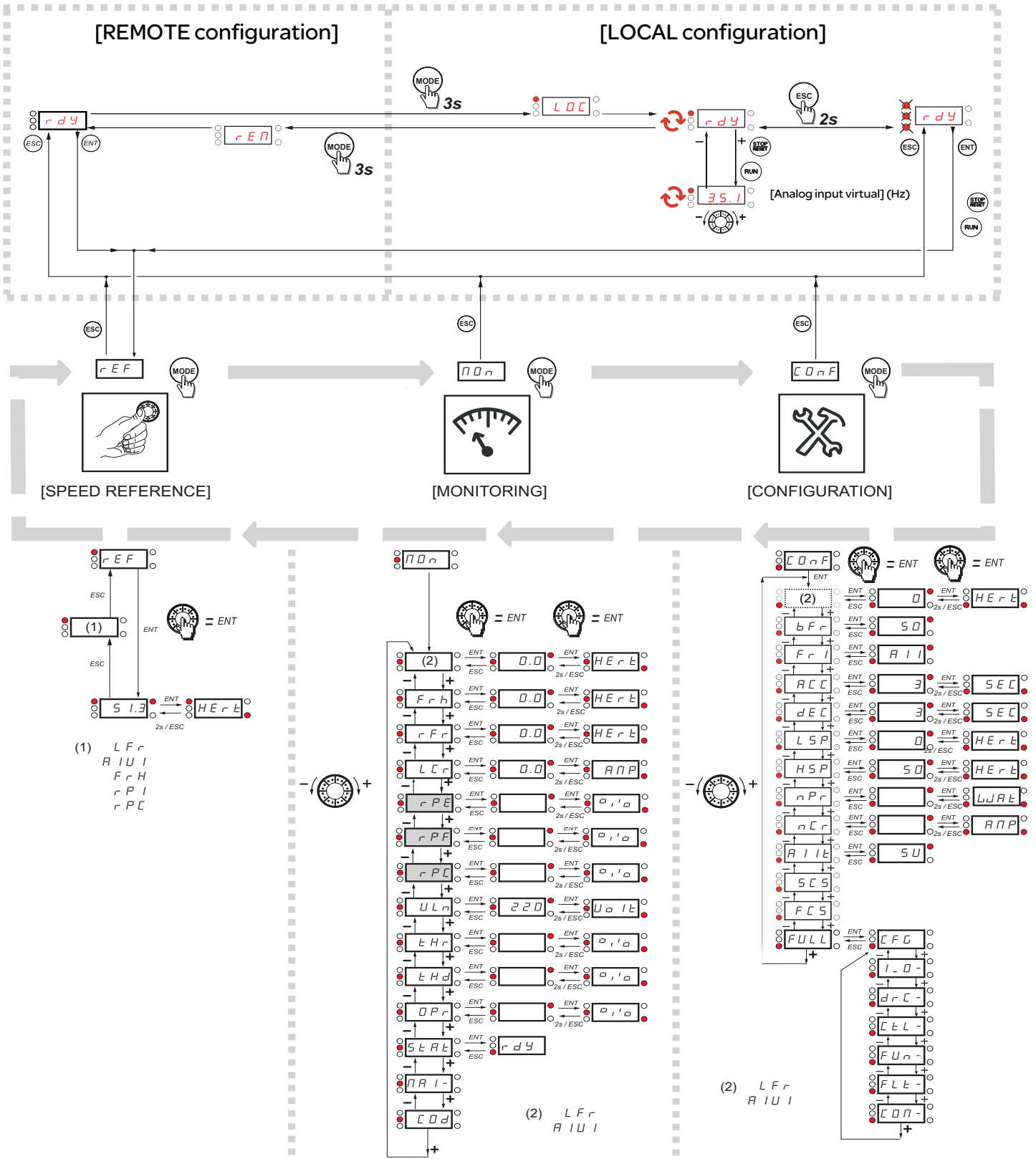
Parameters factory settings:

*F r l = A l u l*



## 10 Start the motor

# Menus structure



Refer to the user manual for comprehensive menu description.

A dash appears after menu codes to differentiate them from parameter codes.  
 Example: [Motor control menu] (`drC-`), `bFr` parameter.