

5 A with power boost

PULS

SL5.100

- Input: AC 230V / 115V
- Output: 24V / 5A
- Power boost up to 6A
- High overload current, no switch-off
- Quasi-Wide-Range Input
- Robust mechanics and EMC



CB
scheme
IEC60950

UL US

UL508 LISTED
IND. CONT. EQ.
18 WIM, 60°C

UL US
UL60950 E137005
CUL/CSA-C22.2
No 60950

CE
EMC and
Low Volt.
Directive

Data sheet

Input

Input voltage AC100-120/200-240 V (switchable), 47-63 Hz (85-132 VAC / 176-264 VAC, 210-375 VDC, see also „Output: Continuous Loading“)

Quasi-Wide-Range Input: With the switch in the 230V position the power-supply unit operates at low and moderate loads (until 3 A) at any input voltage between 95 and 264 V AC (see 'Output' below).

Note: At DC input, always leave the switch in the 230V position

Input current < 2.6 A (switch in 115V position)
< 1.4 A (switch in 230V position)

- DCin at open output typ. 5 mA (preserves battery sources)

Inrush current typ. 15 A at 264 V AC and cold start

To be fused with a 10A, B-type 'circuit-breaker' switch based on the usual thermomagn. overload sensing principle (used anyway to fuse the input lines). In addition, the unit contains an internal fuse (not accessible)

EN 61000-3-2 (harmonic current emissions) is fulfilled

Transient handling Transient resistance acc. to VDE 0160 / W2 (750 V / 1.3 ms), for all load conditions.

Hold up time > 37 ms at 196 VAC, 24 V / 5 A (see Diagram overleaf)

Efficiency, Reliability etc.*

Efficiency typ. 90 % (230 VAC, 24 V / 5 A)

Losses typ. 13,3 W (230 VAC, 24 V / 5 A)

MTBF 520,000 h acc. to Siemensnorm SN 29500 (24 V/5 A, 230 VAC, T_{amb} = +40 °C)

Life cycle (electrolytics) The unit exclusively uses longlife electrolytics, specified for +105°C (cf. 'The SilverLine', p.2).

Construction / Mechanics*

Housing dimensions and Weight

- W x H x D 64 mm x 124 mm x 102 mm (+ DIN rail)
- Free space for above/below 25 mm recommended
- ventilation left/right 15 mm recommended
- Weight 620 g

Design advantages:

- All connection blocks are easy to reach as mounted at the front panel.
- Input and output are strictly apart from each other and so cannot be mixed up (Input below, output above).

* For further information see data sheets „The SilverLine“, „SilverLine Family Branches“ and mechanics data sheet

Output

Output voltage 24 V DC +5% -1%

Output noise suppression Radiated EMI values below EN 61000-6-3, even when using long, unscreened output cables.

Ambient temperature range T_{amb} Operation: -10°C...+70°C (>60°C: Derating)
Storage: -25°C...+85°C

Continuous loading (at T _{amb} = -10°C...+60°C, convection cooling), see also diagram overleaf. For start at T _{amb} < 0°C and low input voltage, please contact PULS.	Switch	AC/DCin	I _{out}
Output is protected against short circuit, open circuit and overload	230V	176-264 V	ACin 5 A / 6 A *
		95-176 V	ACin 3 A
	115V	210-375 V	DCin 5 A / 6 A *
		150-210 V	DCin 3 A
		100-150 V	DCin 2 A

* short-term 6 A (< 1 min), at 45°C or forced cooling even continuous

Derating typ. 3 W/K (at T_{amb}=+60°C...+70°C)

Voltage regulation better than 2% V_{out} overall

Ripple / Noise < 50 mV_{pp}, (20 MHz bandw., 50 Ω measur.)

Overvolt. protection typ. 29 V

Parallel operation yes; current sharing available on request

Power back immunity 26 V

Front panel indicator Green LED, goes out at V_{out}<18V

Start / Overload Behaviour

Startup delay typ. 0.1 s

Rise time ca. 5-20 ms, depending on load

Overload Behaviour

- Special PULS Overload Design (see diagram overleaf)
- 20% power boost
- no disconnection, no hiccup if overloaded
- high overload current (up to 1.9 I_{Nom}), V_{out} is gradually reduced with increasing current.
- 6A short-term, at 45°C or forced cooling even continuous

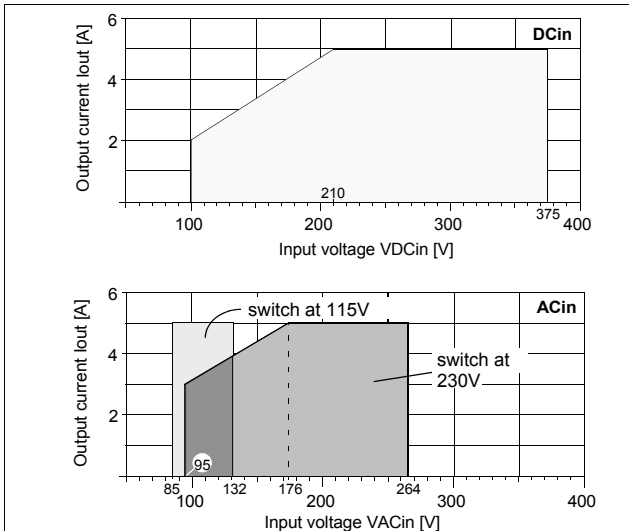
Advantages:

- High short-circuit current, giving large 'start-up window': unit starts reliably even with awkward loads (DC-DC converters, motors).
- No 'sticking' such as can occur with fold-back characteristics
- Secondary fuses operate reliably

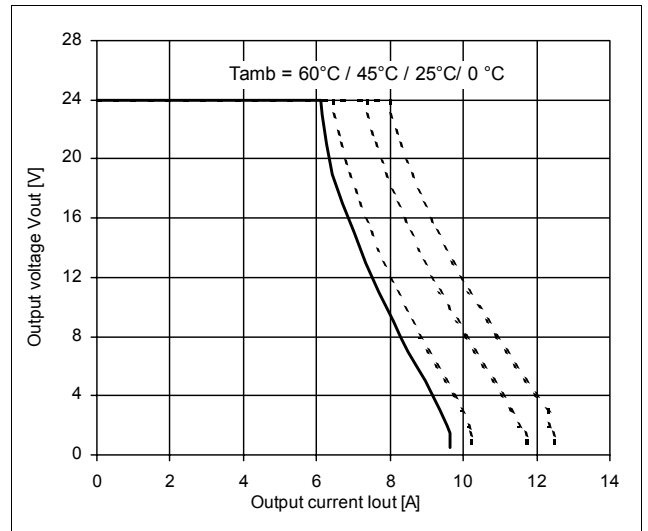
Order information

Order number	Description
SL5.100	(Basic version*)
SLR5.100	(N+1 redundancy*)
SLS5.100	(Safety Cover*)
SLZ01	Screw mounting set, two needed per unit

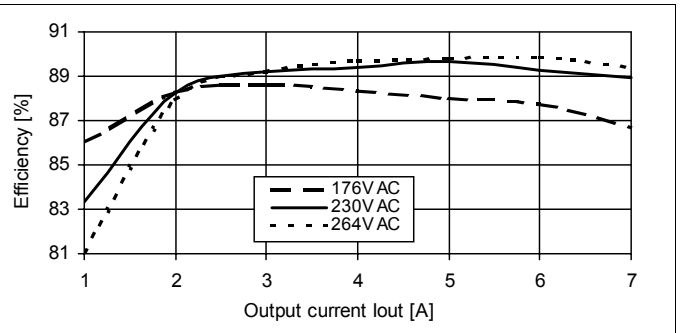
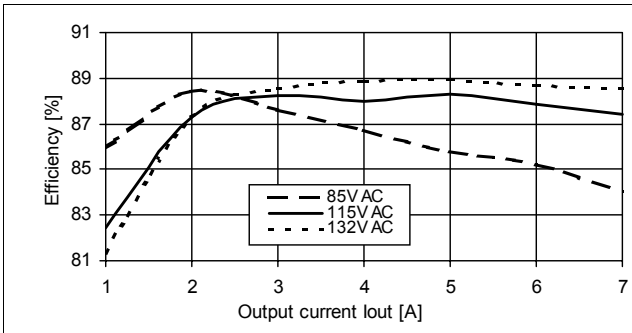
Output Current over Input Voltage (min.)



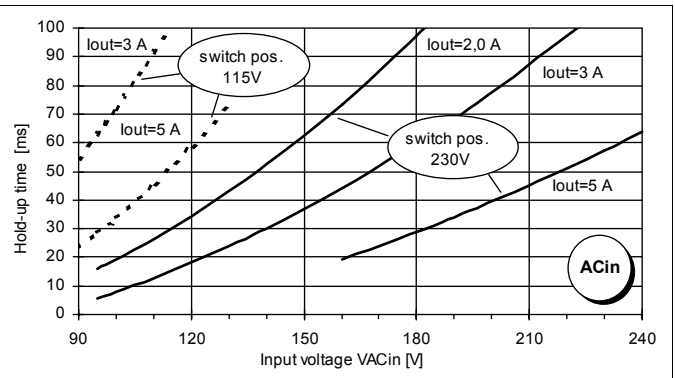
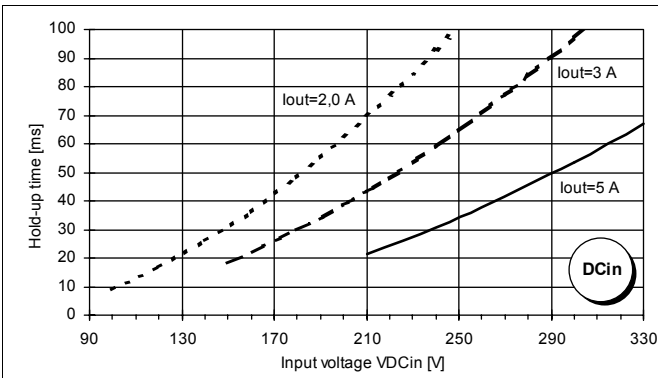
Output characteristic (min.)



Efficiency (min.)



Hold-up time (min.)



For further information, especially about

- EMC
- Connections
- Safety, Approvals
- Mechanics und Mounting,

see page 2 of the „The SilverLine“ data sheet.

For detailed dimensions

see SilverLine mechanics data sheet SL2.5/ SL5/ SL10

Unless otherwise stated, specifications are valid for AC 230V input voltage, +25°C ambient temperature, and 5 min. run-in time. They are subject to change without prior notice.

Your partner in power supply:



PULS GmbH

Arabellastraße 15
D-81925 München
Tel.: +49 89 9278-0
Fax: +49 89 9278-199
www.puls-power.com

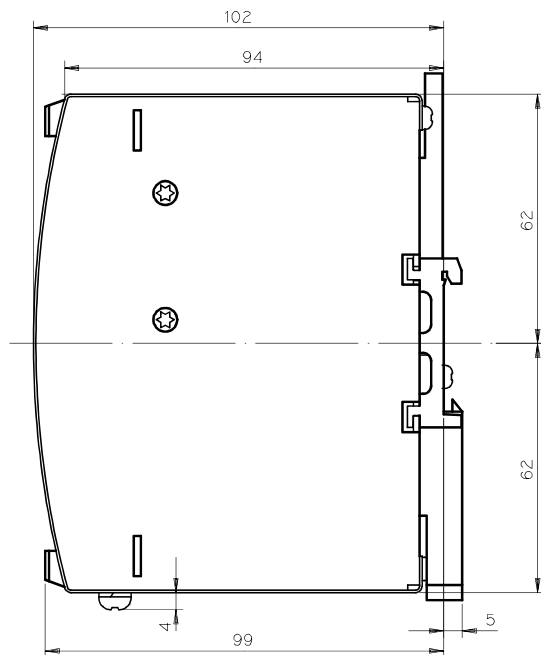
SL2.5/ SL5/ SL10

- Innovative DIN-Rail mount, unit holds even at vibration or lateral pressure
- Clearly arranged and user oriented
- Large, robust screw terminals
- Sealed metal housing
- Fine ventilating grid

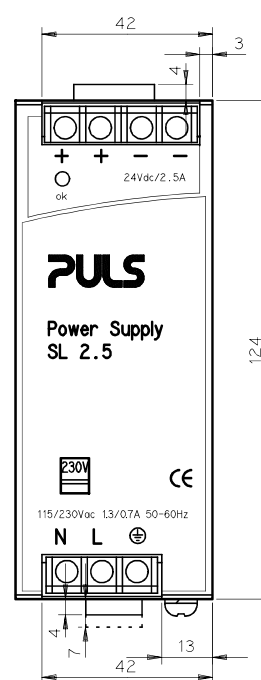


Data sheet

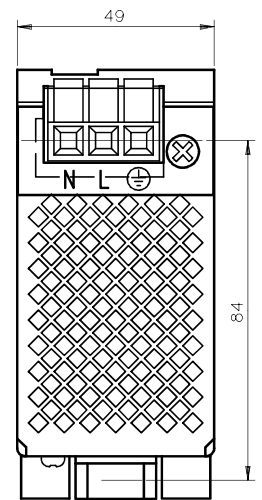
Side view SL2.5



Front view SL2.5



Bottom view SL2.5



Construction / Mechanics

Housing dimensions and Weight		Free space for ventilation	
Unit	W x H x D [mm] weight	left	above/below right
• SL2.5	49 x 124 x 102 460 g	0 mm	25 mm each 10 mm
• SL5.10x	64 x 124 x 102 620 g	15 mm	25 mm each 15 mm
• SL5.300	73 x 124 x 117 730 g	15 mm	50 mm each 15 mm
• SL10	120 x 124 x 102 980 g	15 mm	25 mm each 15 mm

Overall depth = depth value as mentioned + DIN rail depth

Robust metal housing with fine ventilat. grid (◇ 3,5 mm, IP20), to keep out small parts (e.g. screws)

Mounting on DIN-Rail (TS35/7.5 or TS35/15, 1...1.5 mm thick), thus

- Simple snap-on system
- Sits safely and firmly on the DIN-Rail
- No tools required to remove

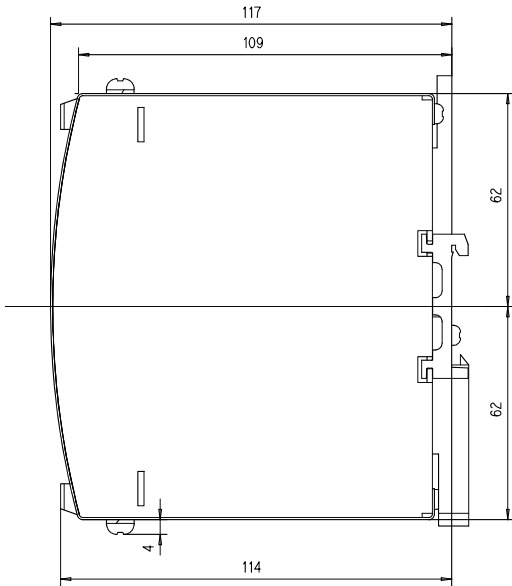
or backplane-mounted (two optional screw mounting sets SLZ01 required)

Connections

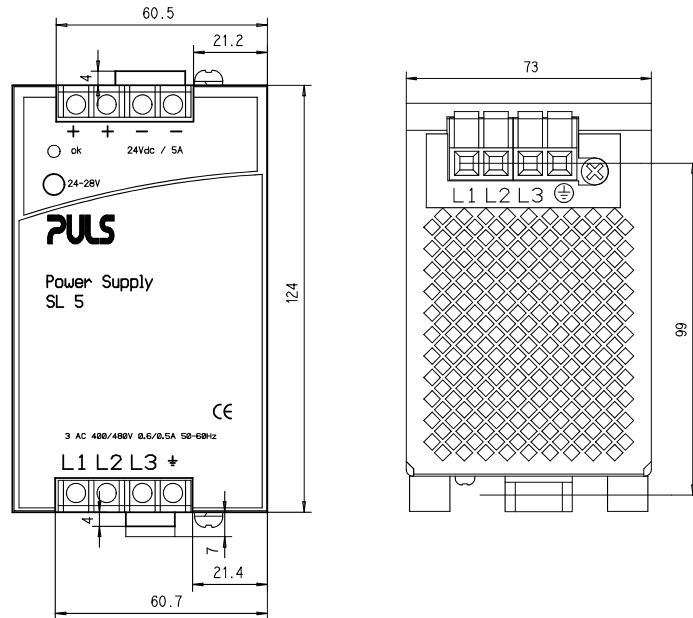
- Connections
- Input/Output
 - Current handling capacity
 - Grid
- Design advantages:
- All connection blocks are easy to reach as mounted at the the front panel.
 - Input and output are strictly apart from each other and so cannot be mixed up
- Screw terminals, connector size range: solid 0.5- 6 mm² / flexible 0.5- 4 mm²
30 A per output
Two connectors per output, 9 mm distance between adjacent connectors

Order information

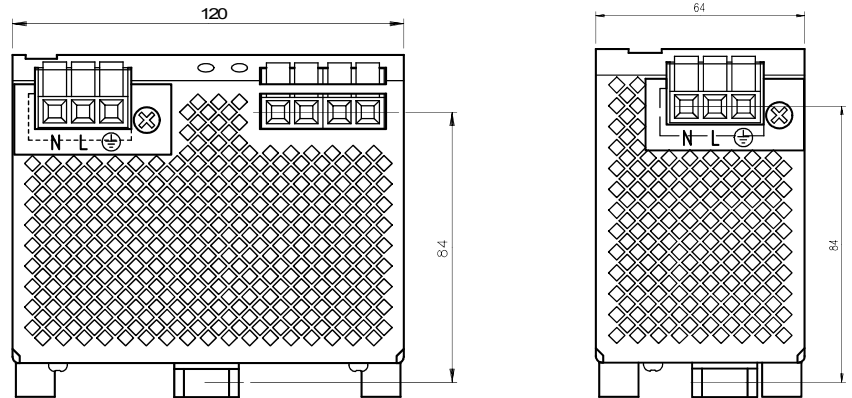
Order number	Description
SL2.100	24V/2.5A
SL2.103	12-15V/40W
SL5.100	24V/5A
SL5.102	24-28V/120W
SL5.105	24-28V/120W
SL5.300	24-28V/120W, 3AC400-500V input
SL10.100 and SL10.105	24-28V/240W
SL10.101	48-56V/240W
SLZ01	Screw mounting set, two needed per unit



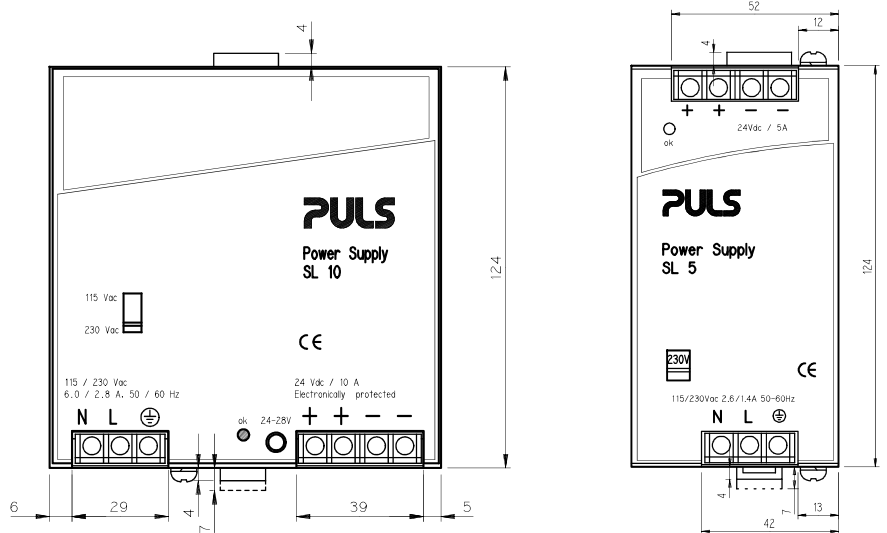
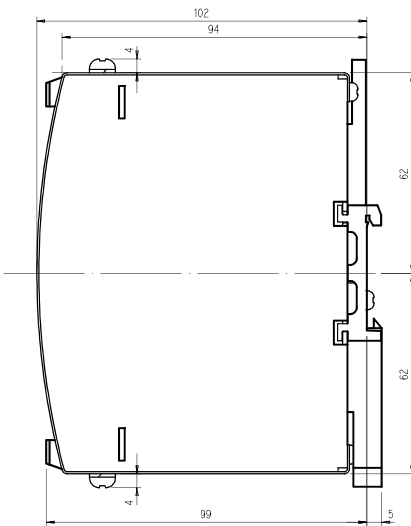
All views SL5.300



**Bottom view
SL10 SL5.10x**



**Side view and front view
SL10, SL5.10x**



This 'mechanics data sheet' exclusively deals with the mechanical properties of the product. For further information (especially concerning electrical properties), please refer to the generic data sheet of the SL2.5, SL5 and SL10 and to the basic data sheet „The SilverLine“ dealing with common features of all SilverLine units. This data sheet is subject to change without prior notice.

Your partner in power supply:



PULS GmbH
 Arabellastraße 15
 D-81925 München
 Tel.: +49 89 9278-0
 Fax: +49 89 9278-199
www.puls-power.com